

Service Letter



1. General

(a) No.:	SL 19
(b) Issue / Date	Issue A / 13-12-2023
(c) Title:	Withdrawal of Parts Support for Vertical Outlet Quick Shut-Off Valve Assembly
(d) Description:	Parts CB-8415-000 - Self Sealing Coupling 7141M Rego Male (3/8 BSP F Thread) and CB-8408-0000 - Tank Fitting QSO Vertical will no longer be supplied by Cameron Balloons Limited.
(e) Applicability:	All types and models using cylinders with vertical outlet quick shut-off valve assembly (VQSO)
(f) Effectivity:	All

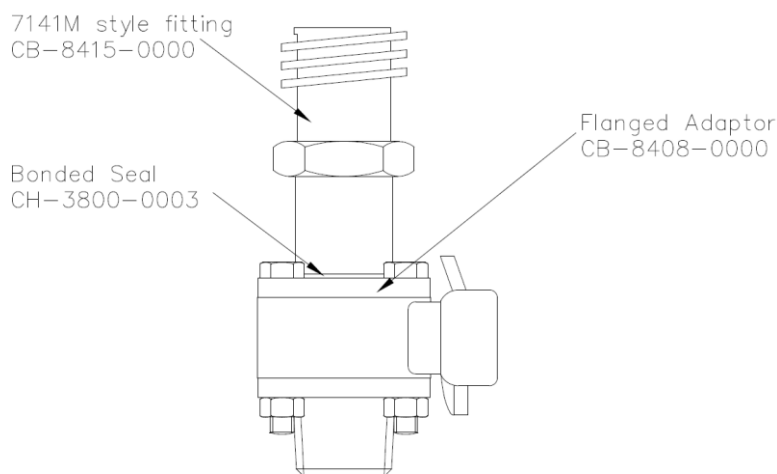
Note: Applicability= All types and variants to which the advice can be applied.
Effectivity= Actual CN or group of CN's to which the advice applies.

2. Accomplishment Instructions

The following parts will no longer be supplied by Cameron Balloons Limited. Cylinders made unserviceable by failure of these parts may be converted to horizontal outlet quick shut-off valve Assembly [Ref: Service Instruction 36].

- CB-8415-0000 - Self Sealing Coupling 7141M Rego Male (3/8 BSP F Thread)
- CB-8408-0000 - Flanged Adaptor QSO Vertical

The CH-7141-0002 coupling **must not** be modified to be used as the outlet fitting for vertical outlet quick shut-off valves.



3. Materials None

4. Other Publications Affected

Service Instruction 36 - Change of Vertical Outlet Quick Shut-Off Valve Assembly to Horizontal Outlet.

5. Remarks

5.1 Unsuitability of the VQSO configuration for further support.

The Rego 7141M component has changed pattern, prompting a reappraisal of its suitability for use in VQSO. Testing has shown that the VQSO assembly strength is significantly lower than that of other liquid take-off valves. This result is regardless of which pattern of Rego 7141M fitting is used. The Flanged Adaptor (CB-8408-0000) was also found to distort at failure, sufficiently to allow propane to leak.

In addition, VQSO assemblies present a rigid extension beyond the volume protected by the cylinder guard ring, making it vulnerable to damage.

These considerations apply to both Rego and Tema VQSO assemblies.


Though these results do not meet the threshold for withdrawal via Service Bulletin, the assembly will no longer be supported by the manufacture of parts.

5.2 Modification of the CH-7141-0002 Rego 7141M Coupling for Manifolds

Changing one supplied part into another configuration is considered 'Fabrication' [Ref. Part-CAO AMC1 CAO.A.020) (c) Terms of Approval].

- (b) Fabrication, inspection, assembly and test should be clearly within the technical and procedural capability of the approved maintenance organisation.
- (c) The approved data necessary to fabricate the part is that approved by either the Agency, the type certificate (TC) holder, the Part 21 design organisation approval holder, or the supplemental type certificate (STC) holder.

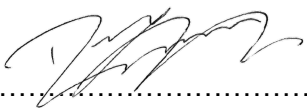
Cameron Balloons provides no approved data to support the fabrication of part CB-8408-0000; therefore, the CH-7141-0002 coupling **must not** be modified for use as the outlet fitting for vertical outlet quick shut-off valves.

Compiled by: 	Notes: None
Date: 13-12-2023	Name: D Boxall

6. Design Organisation Approval

Approval Statement

The technical content of this document is approved under the authority of DOA nr UK.21J.0140



Date: 15/12/2023	Name: D J Cameron
------------------	-------------------